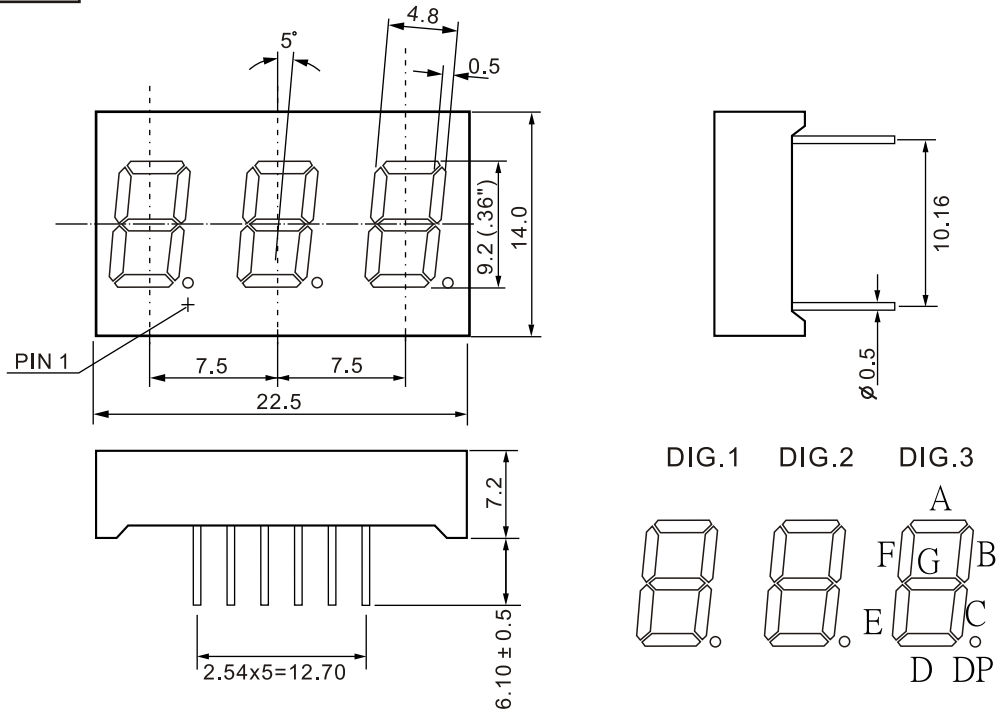




PACKAGE DIMENSION

E30361



INTERNAL CIRCUIT DIAGRAM

